

H

Filtrafine EJ Series Filter Housings

Sleek, Single Cartridge Non-Metallic Housings Offer Economy of Use and Wide Chemical Compatibility in a Wide Range of Water and Industrial Applications

- EJP Model-100% Polypropylene Construction Offers Chemical Compatibility in a Wide Range of Applications.
- EJC Model- Clear Styrene Acrylonitrile Shell Provides Visual Confirmation of a Positive Cartridge to Housing Seal.
- Sleek Housing Design Offers Easy Installation and Maintenance.
- Standard Inlet/Outlet Connections of 3/4" NPT or PT.
- All Materials are FDA Listed for Food and Beverage Contact.
- Optional Polypropylene Mounting Bracket and Wrench Available.
- Accept Double Open End Cartridges from Filtrafine.



Housing Specifications

Materials of Construction:

- Head: Reinforced Polypropylene
- Bowl: Styrene Acrylonitrile (Clear) \ Polypropylene (Opaque)
- Mounting Bracket: Polypropylene
- Gaskets/O-rings: Buna-N

Connections:

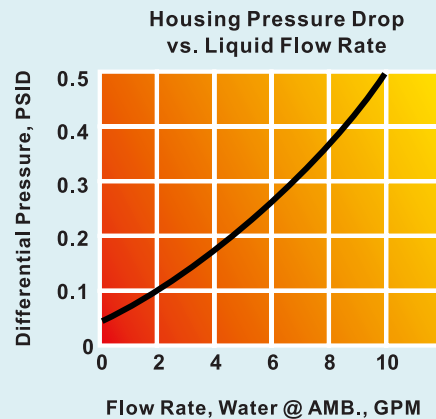
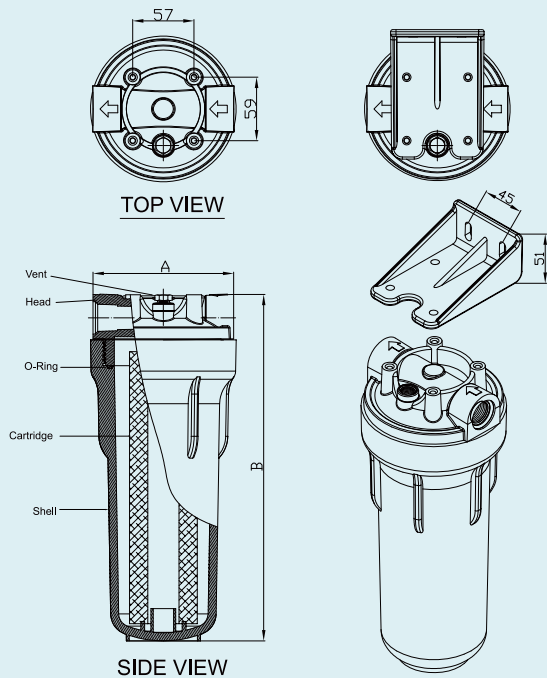
- Inlet/Outlet: 3/4" (27.2 mm) PT or 3/4" (26.7 mm) NPT

Performance Specifications

- Maximum Operating Pressure: 150 psi (10 bar) @ 77°F (25°C)
- FDA Listed Materials: Manufactured from Materials Which are FDA Listed for Food Contact Applications in Title 21 of the U.S. Code of Federal Regulations.

Dimensional Data

Model	Liquid Flow Rate gpm (lpm)	Dimension Inches (mm)		Dry Weight lbs (kg)
		A	B	
EJ10P-3/4	To 10 (37.9 lpm)	5.2" (131mm)	12.7" (322mm)	2.5 lbs (1.15 kg)
EJ10C-3/4	To 10 (37.9 lpm)	5.2" (131mm)	12.7" (322mm)	2.8 lbs (1.27 kg)



* For liquids other than water, multiply the pressure drop by the specific gravity of the fluid.

Ordering Information

EJ Product Name	10 Cartridge Length	P - Material of Construction	3/4 - Inlet / Outlet Connection Size	DOE Cartridge Type
EJ	10 = 10"	P = Polypropylene C = Styrene Acrylonitrile	3/4 = 3/4"	DOE = Double Open End