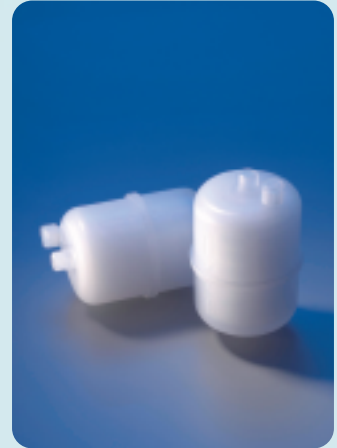


Filtrafine Capsule Series Disposal Filter

High Purity Capsule Filters with an Extended Range of Media Options for Low Flow Applications

- High Purity Polypropylene Capsules Provide Cost Effective Filtration of Aqueous Liquids and Chemicals
- Melt Blown Polypropylene, Polyethersulfone (PES) Membrane and Polytetrafluoro-ethylene (e-PTFE) Membrane Media Options Available
- Low Hold Up Volume Minimizes Loss of Valuable Process Fluids
- Vent and Drain Location Optimized for Quick Change-Out
- Proprietary Thermal Welding Process Minimizes Extractable
- Manufactured in a Clean Room Environment
- Manufactured Under a Certified ISO 9001 Quality System



Product Specifications

Materials of Construction:

- | | |
|---------------------|-------------------------------------|
| • Filter Media: | Melt Blown Polypropylene, PES, PTFE |
| • Hardware: | Polypropylene |
| • Sealing: | Thermal Bond |
| • Support Material: | Polypropylene |

Dimensions (nominal):

- | | |
|---------------------|------------------|
| • Outside Diameter: | 2.7" (69mm) |
| • Inlet/Outlet: | 1/4" (6.4 mm) PT |
| • Vent: | 1/8" (3.2 mm) PT |
| • Drain: | 1/8" (3.2 mm) PT |

Performance Specifications

Retention Ratings:

- | | |
|-----------------------------|---|
| • Melt Blown Polypropylene: | 0.2, 0.25, 0.45, 0.8, 2, 5, 10, 20, 40µm |
| • PES: | 0.04, 0.1, 0.2, 0.45, 0.8, 1.2µm Absolute |
| • PTFE: | 0.1, 0.2µm Absolute |

Operating Conditions:

- | | |
|-------------------------------|------------------------------------|
| • Maximum Operating Pressure: | To 60 psig (4.1 bar) @ 77°F (25°C) |
|-------------------------------|------------------------------------|

FDA Listed Materials:

Manufactured from Materials Which are FDA Listed for Food Contact Applications in Title 21 of the U.S. Code of Federal Regulations

Toxicity:

All Polypropylene Components Meet the Specifications for Biological Safety as per the USP for Class VI-121°C Plastics (Gaskets/O-rings Excluded)

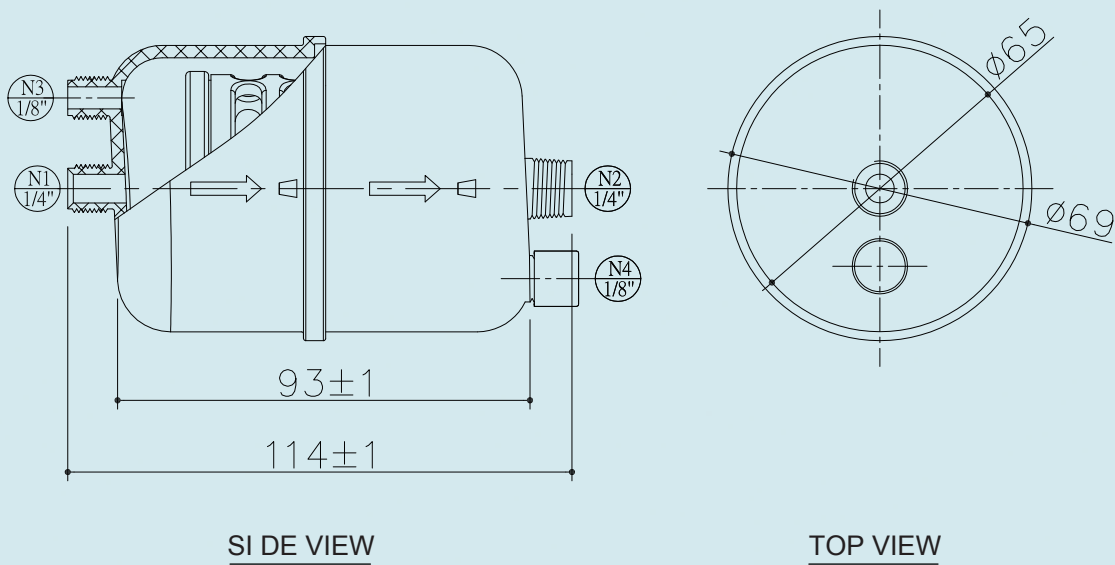
Capsule Rinse-Up:

Rinse-up to 18 Megohm-cm with a Minimum of Throughput.

Purity:

Capsules are Free of Resins, Binders, and Adhesives.

Dimensional Data



Ordering Information

RFC Product Name	0.2 Retention Rating	1/4 Inlet / Outlet Size
Capsule	PP: 0.2, 0.25, 0.45, 0.8, 2, 5, 10, 20, 40 μ m nom. PES: 0.04, 0.1, 0.2, 0.45, 0.8, 1.2 μ m abs. PTFE: 0.1, 0.2 μ m abs.	1/4 = 1/4 inch PT