

Filtrafine CSV Series Filter Housings

100 psig, Electro-polished, Stainless Steel, Accepts Filtrafine FasClean-Flow Series Filter Cartridge Especially Designed for High flow Liquid Service for TFT-LCD G7 and G8 Applications

- Inlet and Outlet Connections Aligned in T-style for Ease of Installation
- Electropolished 304, 316 or 316L Stainless Steel Materials of Construction for Maximum Corrosion Resistance
- 100 psig (7 bar) Maximum Operating Pressure Permits Use in a Wide Range of Applications
- 2" Connections Available
- Multiple Connection Options Available Including Union, Threaded and Flanged Connections
- Operator Friendly Band Closure Ensures Quick and Easy Cartridge Change-Out



Housing Specifications

Materials of Construction:

- Head: 304, 316 or 316L Stainless Steel
- Shell: 304, 316 or 316L Stainless Steel
- Clamp: 304 Stainless Steel
- Gaskets/O-rings: Standard: EPDM,
Optional: Silicone, Viton, Teflon Encapsulated Viton
- Connection Types: Flanged: ANSI, JIS and DIN
Threaded: NPT, BSP, PT or Union

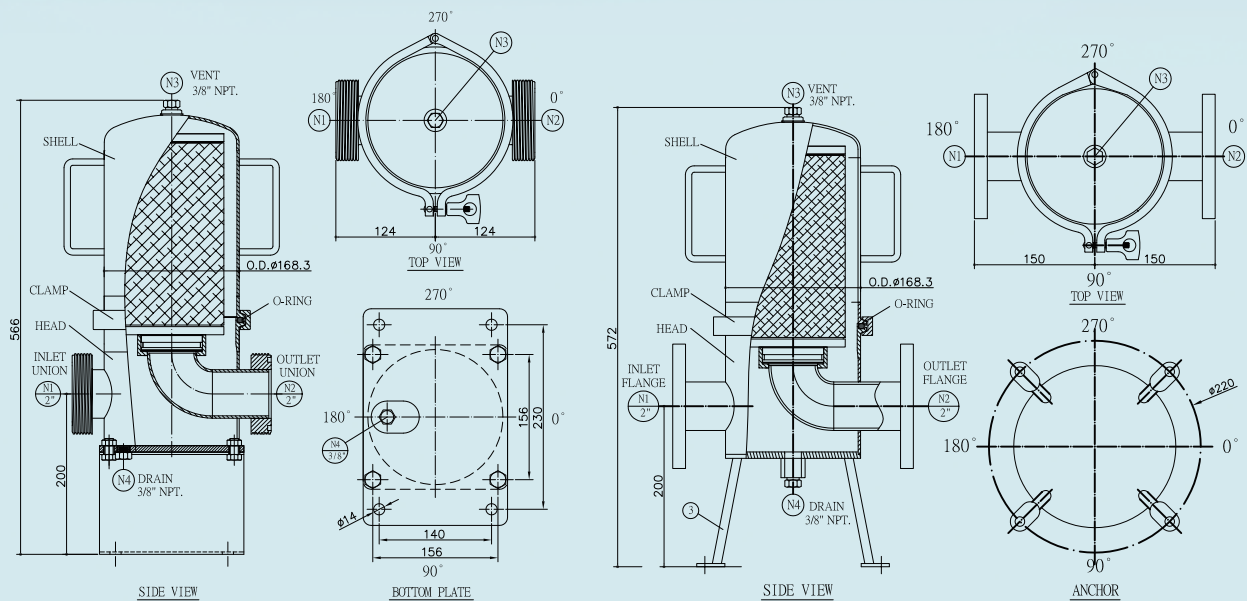
Connections:

- Inlet/Outlet: 2" (60.3 mm)
- Vent: 1/2" (21.3 mm) NPT
- Drain: 1/2" (21.3 mm) NPT

Performance Specifications

- Maximum Operating Pressure: 100 psig (7 bar) @194°F (90°C)

Dimensional Data



Ordering Information

CSV Product Name	1 No. of 10" Equiv.	A - Material of Construction	2 Inlet / Outlet Connection Size	T Connection Style	N - Connection Specification	CB Tri-Clamp
CSV	1 = 10"	A = SS 304 S = SS 316 SL = SS 316 L	2"	F = Flange UN = Union T = Thread	A = ANSI Flange J = JIS Flange N = NPT Thread P = PT Thread B = BSP Thread	CB