

Filtrafine FSB Side Entry M Series Single Bag Filter Housings

150 psig, Side Inlet Filter Bag Housings Offer Durability and Flexibility in a Wide Range of Applications

- Side Inlet Promotes More Uniform Flow Rate Delivering Improved Filtration Results
- 304 and 316 Stainless Steel Construction Provides Superior Corrosion Resistance and Chemical Compatibility
- Housing Lid can be Mounted in Optimal Direction with Minimal Effort
- High Finish Interior Avoids Particle Contamination and Allows for Easy Cleaning
- Standard Eye-Bolt Closure Provides Added Durability and Easy Bag Change-Out
- Compatible with Size1 and Size2 Filter Bags as well as Filtrafine's Range of High Surface Area Filter Elements
- Adjustable Leg Assembly is Standard for Easy Installation
- Optional Electro-Polished Finish



Housing Specifications

Materials of Construction:

	<u>A</u>	<u>S</u>
• Head:	304 Stainless Steel	316 Stainless Steel
• Shell:	304 Stainless Steel	316 Stainless Steel
• Vent Cap:	304 Stainless Steel	316 Stainless Steel
• Internal Components:	304 Stainless Steel	316 Stainless Steel
• Shell O-rings:	Standard: Optional:	EPDM Viton, Teflon Encapsulated Viton, Silicone

Connections:

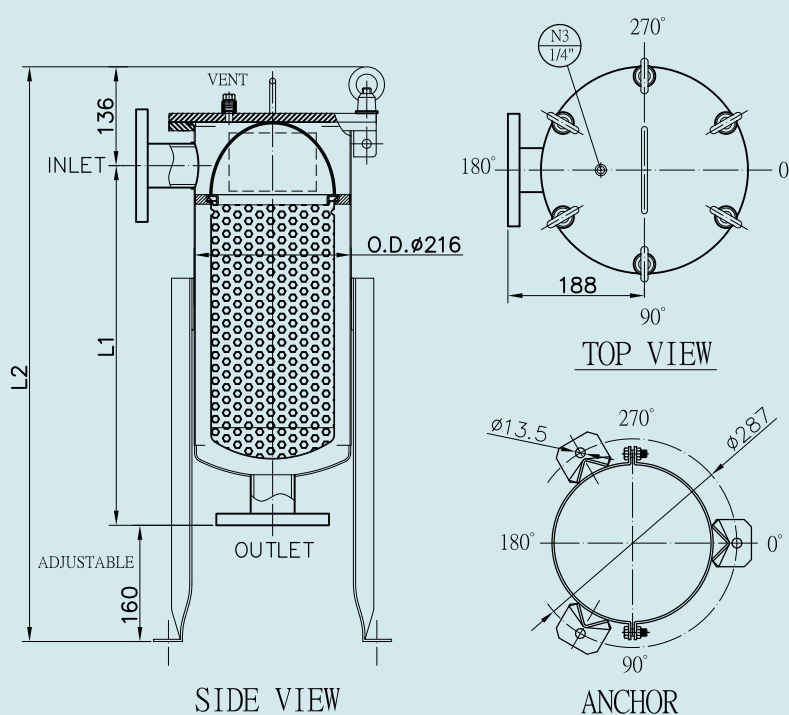
• Inlet/Outlet:	Standard: 2" (60.3mm) NPT, ANSI Flanged Optional: 3" (88.9mm) NPT, ANSI Flanged
• Vent:	1/4" (13.7mm) NPT
• Optional Connection:	JIS, DIN Flanged, PT, BSP

Performance Specifications

- Maximum Operating Pressure: 150 psig (10.3 bar) @ 200°F (93°C) in Liquid Service

Dimensional Data

Model	Liquid Flow Rate gpm (m ³ / hr)	Dimension	
		L1 Inches (mm)	L2 Inches (mm)
FSB1-M	90(20)	19.5" (495)	31.1" (791)
FSB2-M	180(40)	33.9" (860)	45.5" (1156)



Ordering Information

FSB Model	1 Bag Size	A - Material of Construction	M - Bag Housing Type	2 Inlet / Outlet Connection	F Connection Styles	A - Connection Specification	M Special
FSB	1 = 01 2 = 02	A = 304 SS S = 316 SS	M = Machine Cutting Head Side-Entry	2 = 2"	F = Flange T = Thread	A = ANSI Flange J = JIS Flange D = DIN Flange N = NPT Thread P = PT Thread B = BSP Thread	M = Modify EP = Electro-Polished