

## Filtrafine FSB Side Entry Series Single Bag Filter Housings

*150 psig, Side Inlet Filter Bag Housings Offer Durability and Flexibility in a Wide Range of Applications*

- Side Inlet Promotes More Uniform Flow Rate Delivering Improved Filtration Results
- 304 and 316 Stainless Steel Construction Provides Superior Corrosion Resistance and Chemical Compatibility
- Housing Lid can be Mounted in Optimal Direction with Minimal Effort
- High Finish Interior Avoids Particle Contamination and Allows for Easy Cleaning
- Standard Eye-Bolt Closure Provides Added Durability and Easy Bag Change-Out
- Compatible with Size 1 and Size 2 Filter Bags as well as Filtrafine's Range of High Surface Area Filter Elements
- Adjustable Leg Assembly is Standard for Easy Installation
- Optional Electro-Polished Finish



### Housing Specifications

#### Materials of Construction:

	<u>A</u>	<u>S</u>
• Head:	304 Stainless Steel	316 Stainless Steel
• Shell:	304 Stainless Steel	316 Stainless Steel
• Vent Cap:	304 Stainless Steel	316 Stainless Steel
• Internal Components:	304 Stainless Steel	316 Stainless Steel
• Shell O-rings:	Standard: Optional:	EPDM Viton, Teflon Encapsulated Viton, Silicone

#### Connections:

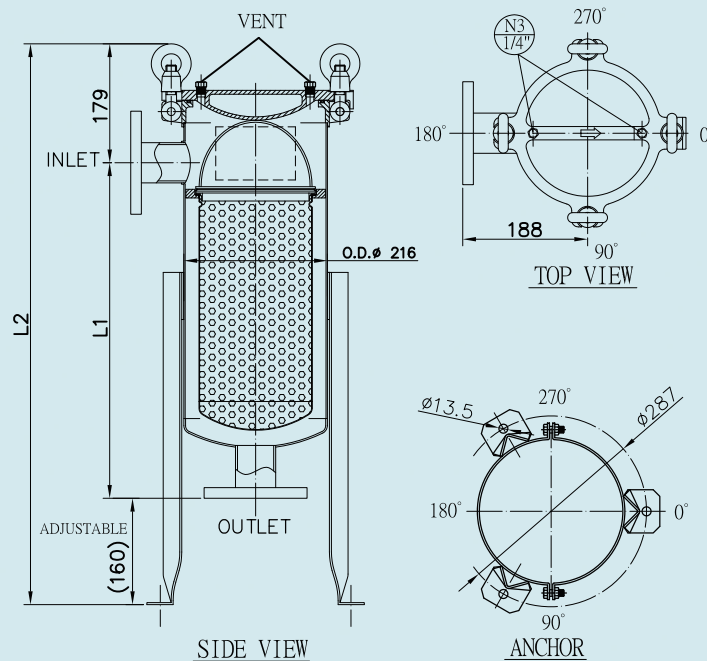
• Inlet/Outlet:	Standard: 2" (60.3mm) NPT, ANSI Flanged Optional: 3" (88.9mm) NPT, ANSI Flanged
• Vent:	1/4" (13.7 mm) NPT
• Optional Connection:	JIS, DIN Flanged, PT, BSP

### Performance Specifications

- Maximum Operating Pressure: 150 psig (10.3 bar) @ 200°F (93°C) in Liquid Service

## Dimensional Data

Model	Liquid Flow Rate gpm (m <sup>3</sup> / hr)	Dimension	
		L1 Inches (mm)	L2 Inches (mm)
FSB1-S	90(20)	19.9" (505)	33.2" (844)
FSB2-S	180(40)	34.3" (870)	47.6" (1209)



## Ordering Information

FSB Model	1 Bag Size	A - Material of Construction	S - Bag Housing Type	2 Inlet / Outlet Connection	F Connection Styles	A - Connection Specification	M Special
FSB	1 = 01 2 = 02	A = 304 SS S = 316 SS	S = Side-Entry	2 = 2"	F = Flange T = Thread	A = ANSI Flange J = JIS Flange D = DIN Flange N = NPT Thread P = PT Thread B = BSP Thread	M = Modify EP = Electro-Polished