

## Filtrafine MHH Series High Flow Filter Housings

*150 psig, High Flow Housings for Use with Filtrafine Multiplate High Flow Cartridges*

- Models Available to Accommodate 1 to 19 Round Filtrafine Multiplate High Flow Filter Cartridges Allowing Process Optimization
- Models Available for Use with 20 inch (508mm), 40 inch (1016mm) and 60 inch (1524mm) Multiplate High Flow Cartridges
- 304 and 316 Stainless Steel Materials of Construction are Standard. 316L Stainless Steel, Carbon Steel and Rubber Lined Versions are Available Upon Request
- Horizontal Orientation Eliminates the Need for a Ladder, Catwalk or Platform to Change-Out Filter Cartridges
- Designed to ASME Code Standards, Section VIII, Division 1
- Operator Friendly Eyebolt with Davit Arm Design Allows for Quick & Easy Change-Out
- Inside to Outside Flow Minimizes the Possibility of Downstream Contamination During Cartridge Change-Out



### Housing Specifications

#### Materials of Construction:

- Head and Shell: 304 or 316 Stainless Steel
- Connections: 304 or 316 Stainless Steel
- Internal Components: 304 or 316 Stainless Steel
- Swing Bolts: 304 Stainless Steel or Zinc Carbon Steel
- Optional: 316L Stainless Steel, Carbon Steel and Rubber Lined Housings are Available on Request
- Shell O-rings: Standard: EPDM  
Optional: Viton, Teflon Encapsulated Viton, Silicone

#### Connections:

- Inlet/Outlet: 4" - 20" (114.3mm - 508mm) ANSI Flanged
- Vent: 1" (33.4mm) NPT
- Drain: 1 1/2" (48.3mm) NPT
- Gauge: 1/4" (13.7mm) NPT
- Optional Connection: JIS, DIN Flanged

### Performance Specifications

- Maximum Operating Pressure: 150 psig (10.3 bar) @ 200°F (93°C) in Liquid Service

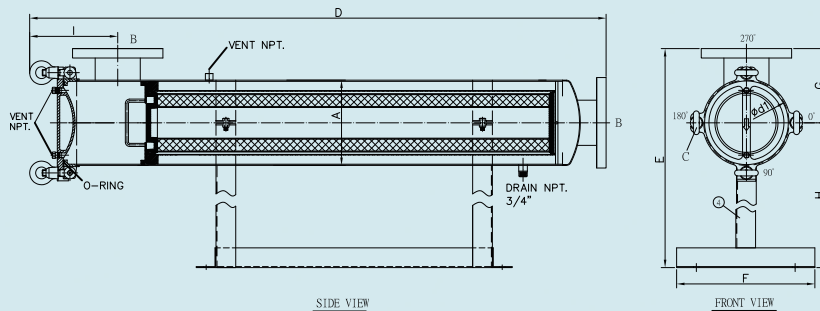
#### Construction:

- Standard: Non Code
- Optional: ASME UM Stamp, ASME U Stamp

## Dimensional Data

1 Cartridge	A	B	C	D	E	F	G	H	I
1MHH2	216	4"	M16	960	688	350	188	500	223
1MHH4	216	4"	M16	1460	688	350	188	500	223
1MHH6	216	4"	M16	1971	688	350	188	500	223
2 Cartridges	A	B	C	D	E	F	G	H	I
2MHH2	406	6"	M20	1193	796	390	313	400	342
2MHH4	406	6"	M20	1693	796	390	313	400	342
2MHH6	406	6"	M20	2204	796	390	313	400	342
3 Cartridges	A	B	C	D	E	F	G	H	I
3MHH2	456	8"	M20	1268	851	440	338	450	387
3MHH4	456	8"	M20	1768	851	440	338	450	387
3MHH6	456	8"	M20	2279	851	440	338	450	387
4 Cartridges	A	B	C	D	E	F	G	H	I
4MHH2	508	8"	M20	1295	897	480	364	500	414
4MHH4	508	8"	M20	1795	897	480	364	500	414
4MHH6	508	8"	M20	2306	897	480	364	500	414
5 Cartridges	A	B	C	D	E	F	G	H	I
5MHH2	558	10"	M20	1359	950	530	399	550	454
5MHH4	558	10"	M20	1859	950	530	399	550	454
5MHH6	558	10"	M20	2370	950	530	399	550	454
7 Cartridges	A	B	C	D	E	F	G	H	I
7MHH2	610	12"	M20	1435	1001	550	425	502	502
7MHH4	610	12"	M20	1935	1001	550	425	502	502
7MHH6	610	12"	M20	2446	1001	550	425	502	502
8 Cartridges	A	B	C	D	E	F	G	H	I
8MHH2	660	12"	M20	1477	1056	600	450	532	532
8MHH4	660	12"	M20	1977	1056	600	450	532	532
8MHH6	660	12"	M20	2477	1056	600	450	532	532

9 Cartridges	A	B	C	D	E	F	G	H	I
9MHH2	710	14"	M20	1566	1101	630	486	700	569
9MHH4	710	14"	M20	2066	1101	630	486	700	569
9MHH6	710	14"	M20	2577	1101	630	486	700	569
10 Cartridges	A	B	C	D	E	F	G	H	I
10MHH2	762	14"	M20	1592	1156	670	511	750	594
10MHH4	762	14"	M20	2092	1156	670	511	750	594
10MHH6	762	14"	M20	2603	1156	670	511	750	594
12 Cartridges	A	B	C	D	E	F	G	H	I
12MHH2	812	16"	M20	1657	1207	730	536	800	634
12MHH4	812	16"	M20	2157	1207	730	536	800	634
12MHH6	812	16"	M20	2668	1207	730	536	800	634
13 Cartridges	A	B	C	D	E	F	G	H	I
13MHH2	862	16"	M20	1677	1262	760	561	850	644
13MHH4	862	16"	M20	2177	1262	760	561	850	644
13MHH6	862	16"	M20	2688	1262	760	561	850	644
15 Cartridges	A	B	C	D	E	F	G	H	I
15MHH2	916	18"	M24	1771	1357	820	598	900	695
15MHH4	916	18"	M24	2271	1357	820	598	900	695
15MHH6	916	18"	M24	2782	1357	820	598	900	695
17 Cartridges	A	B	C	D	E	F	G	H	I
17MHH2	966	18"	M24	1793	1409	850	623	950	705
17MHH4	966	18"	M24	2293	1409	850	623	950	705
17MHH6	966	18"	M24	2804	1409	850	623	950	705
19 Cartridges	A	B	C	D	E	F	G	H	I
19MHH2	1016	20"	M24	1861	1459	900	648	1000	744
19MHH4	1016	20"	M24	2361	1459	900	648	1000	744
19MHH6	1016	20"	M24	2872	1459	900	648	1000	744



## Ordering Information

1 Number of Elements	MHH Product Name	2 Cartridge Length	A- Material of Construction	4 Inlet / Outlet Connection Size (inch)	F Connection Style	D Davit Arm Assembly	A- Flange Type	NC Stamped	100 Pressure Rating (psig)
1, 2, 3, 4, 5, 7, 8, 9, 10, 12, 13, 15, 17, 19	MHH	2=20" 4=40" 6=60"	A=SS304 S=SS316 SL=SS316L RL=Rubber Lining	4", 6", 8", 10", 12", 14", 16", 18", 20"	F = Flange	Standard	A=ANSI J=JIS D=DIN	NC=Non Code UM=UM Stamp U=U Stamp	100 150