

Filtrafine SDV Series Sanitary Filter Housings

100 psig , Sanitary Single and Multiple Cartridges Filter Housings Innovative Design Enhances Cleanability and Microbiological Safety due to Crevice-Free, Polish and Hygienic Design

- Single or Multiple Cartridges Sanitary Filter Housings are Available - 1, 3, 5, 7, 9, 12 and 15 pcs Round
- Models for 10", 20" and 30" Cartridges are Available
- 0.25 RA Electropolished Finish for Head and Elbows and Mirror Polished Bowl Ensures Optimal Cleanability in Critical Areas while Maintaining Cost Effectiveness
- Inlet and Outlet are Connections from 1" to 3"
- 316 and 316L Stainless Steel Materials of Construction are Available
- Sealing Systems Available for 226 or 222 O-ring Cartridges Operator-Friendly Tri-Clamp Housing Closure Simplifies Cartridge Change-Out



Housing Specifications

Materials of Construction:

- Head: 316 or 316L Stainless Steel
- Shell: 316 or 316L Stainless Steel
- Legs/Clamp: 304 Stainless Steel
- Gaskets/O-rings: Standard: Silicone
Optional: EPDM, Viton, Teflon Encapsulated Silicone

Connections:

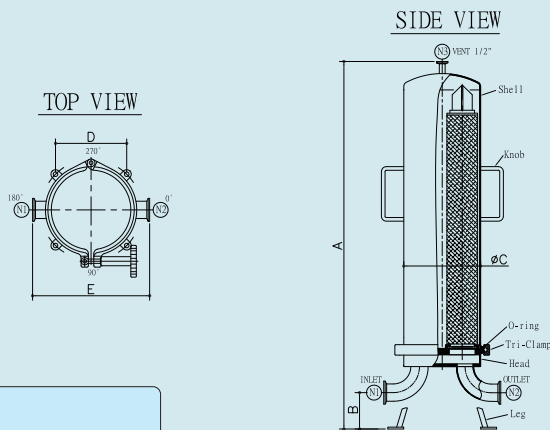
- Inlet/Outlet: 1" (25.4mm) ~ 3" (76.2mm) Ferrule End
- Vent : 1/2" (12.7mm) Ferrule End

Performance Specifications

- Maximum Operating Pressure: 100 psig (7 bar) @248°F (120°C)

Dimensional Data

Model	Cartridge No.	Inlet /Outlet Inches (mm)	Dimension Inches (mm)					Cartridge Diameter Inches (mm)
			A	B	C	D	E	
1SDV1-1	1	1"(25.4)	17.1"(434)	2.6" (65)	4" (102)	4.1" (105)	7.4" (188)	2.7" (70)
2SDV2-1	1	1"(25.4)	27.1"(688)					
3SDV3-1	1	1"(25.4)	37.1"(942)					
3SDV1-1.5	3	1.5"(38.1)	21.7"(551)	3.1" (80)	6.7" (169)	6.2" (157)	10.2 (258)	2.7" (70)
6SDV2-1.5	3	1.5"(38.1)	31.7"(805)					
9SDV3-1.5	3	1.5"(38.1)	41.7"(1059)					
5SDV1-2	5	2"(50.8)	23.3"(592)	3.9" (100)	8.5" (215)	8.3" (212)	12.8" (324)	2.7" (70)
10SDV2-2	5	2"(50.8)	33.3"(847)					
15SDV3-2	5	2"(50.8)	43.4"(1102)					
20SDV4-2	5	2"(50.8)	53.4"(1357)					
7SDV1-2	7	2"(50.8)	23.7"(601)	3.9" (100)	9.3" (237)	10.3" (262)	14" (356)	2.7" (70)
14SDV2-2	7	2"(50.8)	33.7"(856)					
21SDV3-2	7	2"(50.8)	43.7"(1111)					
28SDV4-2	7	2"(50.8)	53.8"(1366)					
9TKV1-2.5	9	2.5"(63.5)	25.4"(646)	4.7" (120)	10.7" (273)	11.3" (287)	15.7" (400)	2.7" (70)
18TKV2-2.5	9	2.5"(63.5)	35.5"(901)					
27TKV3-2.5	9	2.5"(63.5)	45.5"(1156)					
36TKV4-2.5	9	2.5"(63.5)	55.6"(1411)					
12SDV3-3	12	3"(76.2)	26.6"(676)	4.7" (120)	12.5" (318)	13.6" (346)	19" (484)	2.7" (70)
24SDV3-3	12	3"(76.2)	36.7"(931)					
36SDV3-3	12	3"(76.2)	46.7"(1186)					
48SDV4-3	12	3"(76.2)	56.6"(1438)					



Ordering Information

3 No. of 10" Equiv.	SDV Product Name	1 No. of 10" Equiv. per Column	S- Material of Construction	1.5- Inlet/Outlet Connection Size	CB- Tri-Clamp	7 End Configuration
1- 48	SDV	1 = 10" 2 = 20" 3 = 30" 4 = 40"	S = 316SS SL = 316LSS	1 = 1" 1.5 = 1.5" 2 = 2" 2.5 = 2.5" 3 = 3"	CB = Tri-Clamp Closure	8 = SOE with 222 O-rings , Fin End 7 = SOE with 226 O-rings, Fin End