

Filtrafine SVS-DOE Series Filter Housings

175 psig, Accepts Double Open End Filter Cartridge, 304 or 316 Stainless Steel Construction for Maximum Chemical Compatibility

- Accepts 4", 10", 20" and 30" DOE Cartridges
- 1/2", 3/4" and 1" Inlet/Outlet Connection Sizes for Easy Installation
- T-Handle Device Permits Replacement of Filter Cartridge Without Tools
- Self Adjusting Sealing Design Provides Positive Filter Cartridge Seal for Non-Compressible Cartridges
- 304 or 316 Stainless Steel Materials of Construction Allows Use in a Wide Range of Applications



Housing Specifications

Materials of Construction:

- Head: 304 Stainless Steel, 316 Stainless Steel
- Shell: 304 Stainless Steel, 316 Stainless Steel
- Mounting Bracket: 304 Stainless Steel
- Gaskets/O-rings: Standard: Viton
Optional: Teflon Encapsulated Viton, EPDM

Connections:

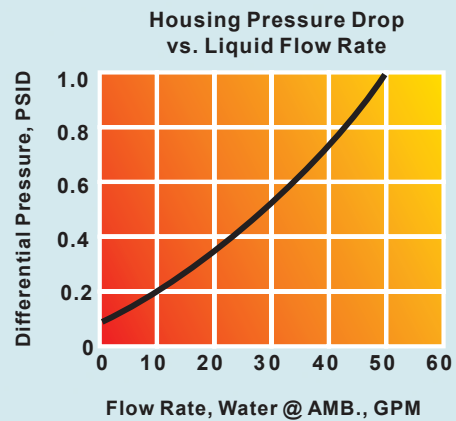
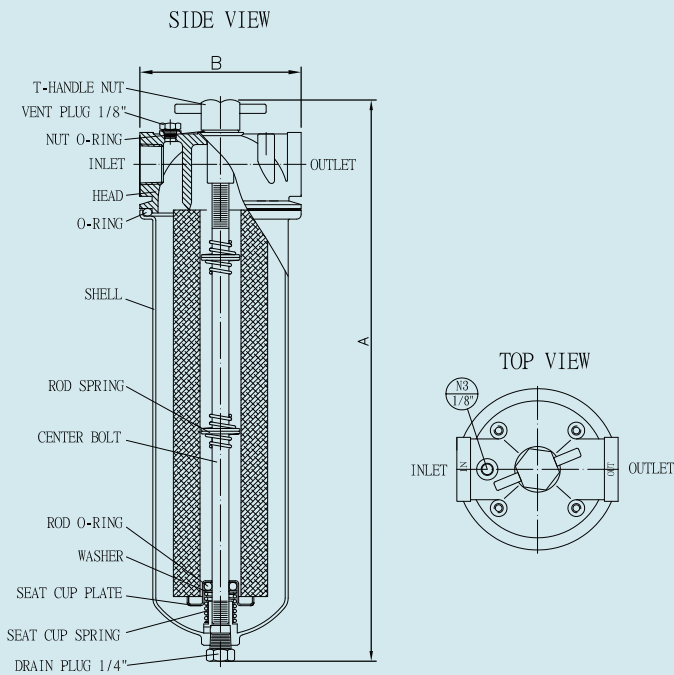
- Inlet/Outlet: 1/2" (21.3mm), 3/4" (26.7mm), 1" (33.4mm) FNPT
- Vent/Gauge: 1/8" (10.3mm) NPT
- Drain: 1/4" (13.7mm) NPT

Performance Specifications

- Maximum Operating Pressure: 175 psig (12.1bar) @ 150°F (66°C)

Dimensional Data

Model	Liquid Flow Rate gpm (lpm)	Dimension Inches (mm)	
		A	B
SVS4S	to 4 (15.1lpm)	8.4" (214mm)	4.2" (106mm)
SVS10S	to 10 (37.9lpm)	14.4" (367mm)	4.2" (106mm)
SVS20S	to 20 (75.7lpm)	24.4" (621mm)	4.2" (106mm)
SVS30S	to 30 (113.6lpm)	34.5" (876mm)	4.2" (106mm)



* For liquids other than water, multiply the pressure drop by the specific gravity of the fluid.

Ordering Information

SVS Product Name	10 Cartridge Length	S- Material of Construction	3/4- Inlet / Outlet Connection Size	DOE Cartridge Type
SVS	4 = 4" 10 = 10" 20 = 20" 30 = 30"	A = 304SS S = 316SS	1/2 = 1/2" 3/4 = 3/4" 1 = 1"	DOE = Double Open End