

Filtrafine TKF Series Filter Housings

150 psig, Flat or Dome Flange Head with Swing Eye Bolts Closure Style Multiple Cartridges Filter Housings

- 150 psig Maximum Operating Pressure Permits Use in a Wide Range of Applications
- Innovative Sealing System Accepts Single Open End or Double Open End Cartridges Allowing Maximum Flexibility In Filter Cartridge Selection
- Swing Eye Bolt Closure Design for Added Durability
- Side Inlet/Side Outlet Design Allows For Easy Piping
- Housing Accepts Seven-10", 20", 30", 40" Cartridges Allowing Optimum System Design
- 304 or 316 Stainless Steel Materials of Construction for Maximum Corrosion Resistance
- Optional Electropolish Finish is Available
- 3, 5, 9, 12, 18, 22 and 28 Round Design are Also Available



Housing Specifications

Materials of Construction:

	<u>A</u>	<u>S</u>
• Head:	304 Stainless Steel	316 Stainless Steel
• Shell:	304 Stainless Steel	316 Stainless Steel
• Swing Eye Bolts:	304 Stainless Steel	304 Stainless Steel
• Shell O-rings:	Standard: Optional:	EPDM Viton, Teflon Encapsulated Viton, Silicone

Connections:

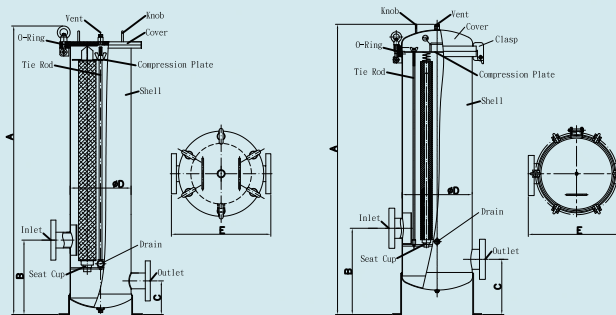
- Inlet/Outlet: 1.5"~4" (60.3~114.3 mm) NPT, ANSI Flange
- Vent: 1/4" (13.7mm) NPT
- Drain: 3/4" (26.7 mm) NPT
- Optional Connection: JIS, DIN Flanged, PT, BSP

Performance Specifications

- Maximum Operating Pressure: 150 psig (10.3 bar) @ 200°F (93°C) in Liquid Service

Dimensional Data

Model	Liquid Flow Rate gpm (lpm)	Dimension Inches (mm)				Maximum Cartridge Diameter Inches (mm)	Weight lbs (kg)	Overhead Clearance Required for Cartridge Removal Inches (mm)
		A	B	C	D			
3TKF1-1.5	to 15(57)	23.7"(603)	10.6"(270)	4.5"(115)	6.5"(165)	2.75"(70)	32.6(14.8)	30.9"(785)
6TKF2-1.5	to 30(114)	33.7"(857)	10.6"(270)	4.5"(115)	6.5"(165)	2.75"(70)	36.2(16.4)	50.9"(1293)
9TKF3-1.5	to 60(171)	43.7"(1111)	10.6"(270)	4.5"(115)	6.5"(165)	2.75"(70)	39.5(17.9)	70.9"(1801)
5TKF1-2	to 25(95)	24.2"(614)	11.1"(283)	5.0"(128)	8.27"(210)	2.75"(70)	48.5(22)	31.2"(793)
10TKF2-2	to 50(190)	34.2"(868)	11.1"(283)	5.0"(128)	8.27"(210)	2.75"(70)	53.4(24.2)	51.2"(1301)
15TKF3-2	to 75(285)	44.2"(1122)	11.1"(283)	5.0"(128)	8.27"(210)	2.75"(70)	60.0(27.2)	71.2"(1809)
20TKF4-2	to 100(380)	54.2"(1376)	11.1"(283)	5.0"(128)	8.27"(210)	2.75"(70)	64.8(29.4)	91.2"(2317)
7TKF1-2	to 35(133)	24.3"(617)	11.1"(283)	5.0"(128)	9.13"(232)	2.75"(70)	56.4(25.6)	31.5"(801)
14TKF2-2	to 70(266)	34.3"(871)	11.1"(283)	5.0"(128)	9.13"(232)	2.75"(70)	61.9(28.1)	51.5"(1309)
21TKF3-2	to 100(399)	44.3"(1125)	11.1"(283)	5.0"(128)	9.13"(232)	2.75"(70)	68.3(31)	71.5"(1817)
28TKF4-2	to 125(532)	54.3"(1379)	11.1"(283)	5.0"(128)	9.13"(232)	2.75"(70)	73.9(33.5)	91.5"(2325)
27TKF3-2.5	to 135(513)	46.9"(1190)	13.0"(330)	6.5"(165)	10.55"(268)	2.75"(70)	90.6(41.1)	73.4"(1865)
36TKF4-2.5	to 180(684)	56.9"(1444)	13.0"(330)	6.5"(165)	10.55"(268)	2.75"(70)	98.1(44.5)	93.4"(2373)
24TKF2-3	to 120(456)	40.5"(1028)	15.0"(380)	8.7"(220)	12.28"(312)	2.75"(70)	104.1(47.2)	55.1"(1399)
36TKF3-3	to 180(684)	50.5"(1282)	15.0"(380)	8.7"(220)	12.28"(312)	2.75"(70)	112.7(51.1)	75.1"(1907)
48TKF4-3	to 240(912)	61.3"(1557)	15.0"(380)	8.7"(220)	12.28"(312)	2.75"(70)	121.3(55)	95.1"(2415)
36TKF2-3	to 180(684)	40.4"(1025)	15.4"(390)	8.7"(220)	13.78"(350)	2.75"(70)	121.5(55.1)	54.9"(1395)
54TKF3-3	to 270(1026)	50.4"(1279)	15.4"(390)	8.7"(220)	13.78"(350)	2.75"(70)	131.0(59.4)	74.9"(1903)
72TKF4-3	to 360(1368)	60.5"(1537)	15.4"(390)	8.7"(220)	13.78"(350)	2.75"(70)	140.7(63.8)	94.9"(2411)
44TKF2-4	to 220(836)	41.6"(1056)	16.1"(410)	9.1"(230)	15.75"(400)	2.75"(70)	159.0(72.1)	55.7"(1416)
66TKF3-4	to 330(1254)	51.6"(1310)	16.1"(410)	9.1"(230)	15.75"(400)	2.75"(70)	172.8(78.4)	75.7"(1924)
88TKF4-4	to 440(1672)	61.6"(1564)	16.1"(410)	9.1"(230)	15.75"(400)	2.75"(70)	186.5(84.6)	95.7"(2432)
56TKF2-4	to 280(1064)	35.8"(909)	16.1"(410)	9.1"(230)	17.72"(450)	2.75"(70)	192.2(87.2)	55.7"(1416)
84TKF3-4	to 420(1596)	45.8"(1163)	16.1"(410)	9.1"(230)	17.72"(450)	2.75"(70)	207.9(94.3)	75.7"(1924)
112TKF4-4	to 560(2128)	61.9"(1573)	16.1"(410)	9.1"(230)	17.72"(450)	2.75"(70)	223.3(101.3)	95.7"(2432)



Ordering Information

14 No. of 10" Equiv	TKF Product Name	2 No. of 10" Equiv. Per Column	A- Material of Construction	2 Inlet / Outlet Connection Size	F Connection Style	A- Connection Specification	3- Cartridge Type	EP Option
3-112	TKF	1 = 10" 2 = 20" 3 = 30" 4 = 40"	A = SS304 S = SS316	2 = 2" 3 = 3" 4 = 4"	F = Flange T = Thread	A = ANSI J = JIS D = DIN N = NPT	DOE 3 = SOE with 222 O-rings, Flat Closed End 8 = SOE with 222 O-rings, Fin End 7 = SOE with 226 O-rings, Fin End	Electro Polished